



# LG COMMERCIAL LAUNDRY

QUALIFIED ENERGY STAR®

TOP-MOUNTED DISPENSER

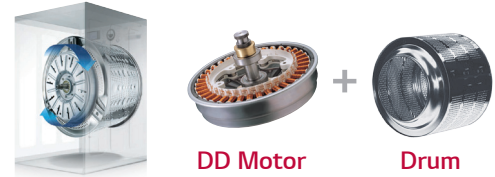
AUTO DOSING INTERFACE READY



**GIANT-C  
WASHER**

## INVERTER DIRECT DRIVE™

Unlike the traditional belt and pulley system, the LG commercial laundry drum is directly attached to the motor providing superior durability and reliability. Fewer parts equals fewer repairs.



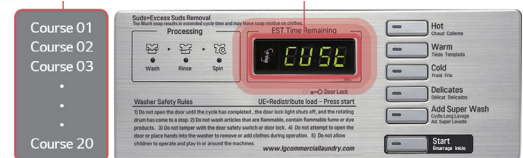
## ATOMIZING SYSTEM

The Atomizing nozzle sprays fresh water onto the clothes and the door. This helps produce a rapid fill so clothes are soaked sooner and longer providing a better washing performance. It also cleans the door glass every time the water sprays on it, reducing your burden of cleaning any excess soap residue.



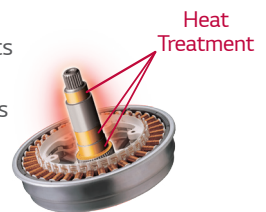
## CUSTOMIZED CYCLES

Users can design their own cycles, selecting washing time, rinse time, water level, etc. and save up to 20 wash cycles to provide optimized washing performance.



## MULTI HEAT TREATMENT

To ensure superior performance LG heat treats the shaft which connects our drums and motors. This protects against gradual wear and tear.



# GIANT-C WASHER SPECIFICATIONS

		Non-Heater FH069FD** / GCWF1069***	Heater F*069FD*PS / WD-H069BD*S
<b>CYLINDER</b>			
Drum Volume	cu.ft (t)	Giant-C <sup>1</sup> : 3.6 (102.8) / Giant-C Pro : 3.7 (105.6)	Giant-C <sup>1</sup> : 3.6 (102.8) / Giant-C Pro : 3.7 (105.6)
Diameter	in. (mm)	22.1 (560)	22.1 (560)
Depth	in. (mm)	16.5 (419.3)	16.5 (419.3)
<b>DIMENSIONS</b>			
Product (WxHxD)	in	27 x 38.7 x 30.2	27 x 38.7 x 30.2
	mm	686 x 983 x 767	686 x 983 x 767
With Door Open	in. (mm)	52.6 (1,337)	52.6 (1,337)
Carton (WxHxD)	in	29.7 x 44.4 x 31.3	29.7 x 44.4 x 31.3
	mm	755 x 1,127 x 795	755 x 1,127 x 795
Weight (Product/Carton)	lb (kg)	191.8 (87) / 211.6 (96)	191.8 (87) / 211.6 (96)
<b>SPEED</b>			
Wash	RPM	40-50	40-50
Extract (High Speed)	RPM	1,150	1,150
G-force	G	413	413
<b>RATING</b>			
Electric Ratings	V/Hz/A	120/60/5	-
		220-240/50/5	220-240/50/15-17.5
		220/60/5	-
<b>*CONSUMPTION INDEX<sup>1)</sup></b>			
Water	gal (l)	13.2(50)	12(45.5)
Electricity	kWh/hour	0.5	3.6-3.8
<b>NOISE &amp; CYCLE TIME</b>			
Noise Level (Sound Power)	dB	Lower than 62	Lower than 62
Program Duration in Minutes (Default)	min	Giant-C <sup>1</sup> : 38 Giant-C Pro : 37	59 (60°C Course) <sup>2)</sup>
<b>SYSTEM &amp; CONTROL</b>			
Inverter Direct Drive Motor		0	0
Heating Element	W	-	3,200
Drain System		Pump drain	
<b>PROGRAMS</b>			
Program List	Hot	90°C (194°F)	
	Warm	75°C (167°F)	
	Cold	60°C (140°F)	
	Delicates	40°C (104°F)	
	Add Super Wash (Card & Coin)/ Custom PGM (OPL)	Cold * Custom PGM <sup>3)</sup>	
<b>EXTERNAL FINISH</b>			
Drum		Stainless Steel	Stainless Steel
<b>CIRCUIT PROTECTION</b>			
PCB Fuse - Main Control Board	amps	12 (220-240V)	12 (220-240V)
PCB Fuse - Filter Assembly	amps	15	15

\* Dimensions and weights are approximate. \* Design, features and specifications subject to change without notice.

\*\* Some models may not be available for sale in certain countries. \*\*\* Model name may vary by country.

1) Without loading / Default water level(Non heater / Heater) : High / Mid

2) Washer detects water temperature and adjusts heating time automatically if hot water supply is available.

3) When you press button for 3 seconds, Cold cycle will be changed to Custom PGM. (Cold for coin model, Custom PGM for OPL model)

## PRODUCT IMAGE



Coin Type



Card / OPL Type



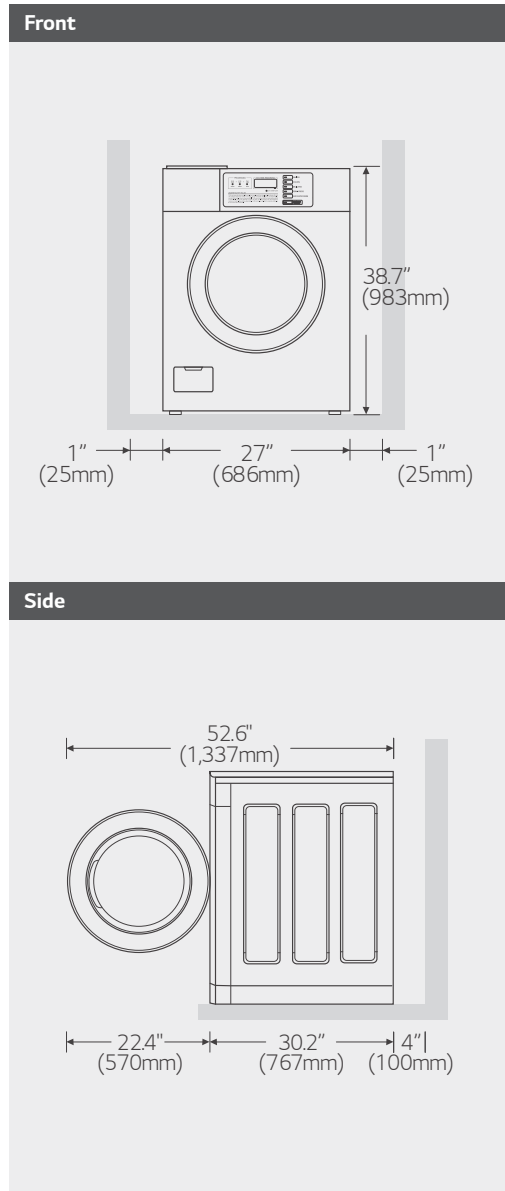
Coin Type



Card / OPL Type



Washer & Dryer Stack Type (Coin, Card/OPL)



www.lg.com/global/business/commercial-laundry  
www.lgcommerciallaundry.com